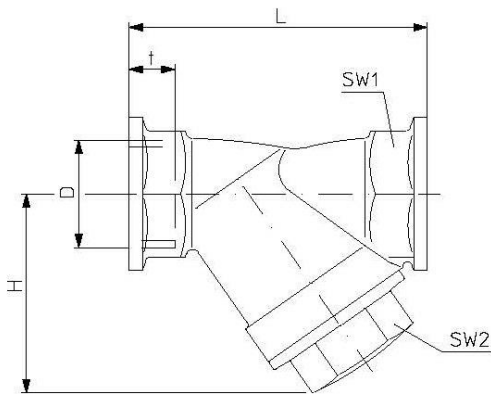


For liquids, gases, steam, water, mineral, fuel and hydraulic oils, fuels and other non-corrosive media in a liquid or gaseous state. Note: Flow direction (indicated by arrow).

Housing	Red brass
Head piece	Brass
Sealant	FKM (FPM) O-ring
Max. operating pressure	25 bar
Operating temperature	-10 °C to 150 °C



60-3/K

**Dirt strainer, sieve insert stainless steel, mesh width 0.25 mm**

Art. No.	Type No.	Thread	DN	H mm	L mm	t mm	a/f 1 mm	a/f 2 mm	Screen
105659	60-1/K	G 1/4	8	34.0	56.0	11.0	21	17	Double stainless steel screen
105660	60-2/K	Rp 3/8	10	34.0	63.5	10.0	22	17	Double stainless steel screen
105661	60-3/K	Rp 1/2	15	42.0	66.5	13.2	27	22	Double stainless steel screen
105662	60-4/K	Rp 3/4	20	52.0	76.5	14.5	32	27	Double stainless steel screen
105663	60-5/K	G 1	25	61.0	90.0	11.5	38	32	Double stainless steel screen
105664	60-6/K	G 1 1/4	32	73.0	112.0	15.5	47	41	Double stainless steel screen
105665	60-7/K	G 1 1/2	40	82.0	120.0	14.5	54	46	Double stainless steel screen
105666	60-8/K	G 2	50	94.0	150.0	18.5	66	56	Double stainless steel screen

**Dirt strainer, sieve insert stainless steel, mesh width 0.6 mm**

Art. No.	Type No.	Thread	DN	H mm	L mm	t mm	a/f 1 mm	a/f 2 mm	Screen
143321	60-1/K-0,6	G 1/4	8	34.0	56.0	11.0	21	17	Double stainless steel screen
143322	60-2/K-0,6	Rp 3/8	10	34.0	63.5	10.0	22	17	Double stainless steel screen
143323	60-3/K-0,6	Rp 1/2	15	42.0	66.5	13.2	27	22	Double stainless steel screen
143324	60-4/K-0,6	Rp 3/4	20	52.0	76.5	14.5	32	27	Double stainless steel screen
143325	60-5/K-0,6	G 1	25	61.0	90.0	11.5	38	32	Double stainless steel screen
143326	60-6/K-0,6	G 1 1/4	32	73.0	112.0	15.5	47	41	Simple stainless steel screen
143327	60-7/K-0,6	G 1 1/2	40	82.0	120.0	14.5	54	46	Double stainless steel screen
143328	60-8/K-0,6	G 2	50	94.0	150.0	18.5	66	56	Double stainless steel screen



**Spare parts set for red brass strainers, mesh width 0.25 mm, 600 meshes/cm<sup>2</sup>**

60-2/ETS

Art. No.	Type No.	Description	Height mm	Ø mm
105667	60-2/ETS	For port size G 1/4, Rp 3/8	22.0	13.5
105668	60-3/ETS	For port size Rp 1/2	27.0	19.0
105669	60-4/ETS	For port size Rp 3/4	36.0	25.0
105670	60-5/ETS	For port size G 1	42.0	31.0
105671	60-6/ETS	For port size G 1 1/4	55.0	43.0
105672	60-7/ETS	For port size G 1 1/2	62.0	48.5
105673	60-8/ETS	For port size G 2	72.0	64.0

**Spare parts set for red brass strainers, mesh width 0.6 mm, 100 meshes/cm<sup>2</sup>**

Art. No.	Type No.	Description	Height mm	Ø mm
143329	60-2/ETS-0,6	For port size G 1/4, Rp 3/8	22.0	13.5
143330	60-3/ETS-0,6	For port size Rp 1/2	27.0	19.0
143331	60-4/ETS-0,6	For port size Rp 3/4	36.0	25.0
143332	60-5/ETS-0,6	For port size G 1	42.0	31.0
143333	60-6/ETS-0,6	For port size G 1 1/4	55.0	43.0
143334	60-7/ETS-0,6	For port size G 1 1/2	62.0	48.5
143335	60-8/ETS-0,6	For port size G 2	72.0	64.0

**Replacement screen for red brass strainers, mesh width 0.6 mm, 100 meshes/cm<sup>2</sup>**

Art. No.	Type No.	Description
129860	60-2-ESI	For port size DN 8, DN 10, G 1/4, RP 3/8
129861	60-3-ESI	For port size DN 15, RP 1/2
129862	60-4-ESI	For port size DN 20, RP 3/4
129863	60-5-ESI	For port size DN 25, G 1
129864	60-6-ESI	For port size DN 32, G 1 1/4
129865	60-7-ESI	For port size DN 40, G 1 1/2
129866	60-8-ESI	For port size DN 50, G 2

**Replacement screen for red brass strainers**

Art. No.	Type No.	Description
129867	60-2-OR-1438	For port size DN 8, DN 10, G 1/4, RP 3/8
129868	60-3-OR-12	For port size DN 15, RP 1/2
129869	60-4-OR-34	For port size DN 20, RP 3/4
129870	60-5-OR-1	For port size DN 25, G 1
129871	60-6-OR-114	For port size DN 32, G 1 1/4
129872	60-7-OR-112	For port size DN 40, G 1 1/2
129873	60-8-OR-2	For port size DN 50, G 2

		Art. No. 143321 to 143328 with water	Art. No. 105659 to 105666 with water
DN	di/mm	$k_V$	$k_V$
8	8,8	1,5	1,4
10	12,5	1,7	1,6
15	16,0	3,8	3,4
20	21,6	7,8	6,9
25	27,2	13,4	10,9
32	35,9	23,9	20,7
40	41,8	32,5	27,4
50	53,0	56,2	47,3
65	68,8	101,3	82,1
80	80,8	133,6	102,0

$K_v$  value (water) in m<sup>3</sup>/h at  $\Delta p$  1 bar.